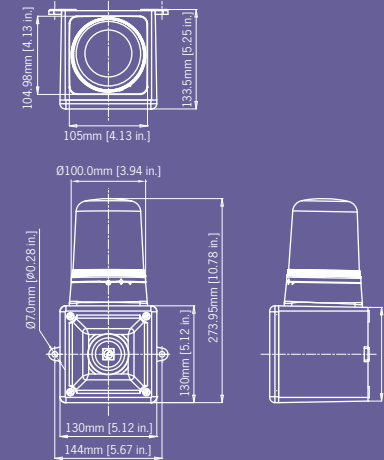


AB105RTH Alarm Sounder & Rotating Beacon

The AB105RTH combines a compact high output 112dB(A) alarm sounder with a powerful 25W halogen rotating beacon.

The beacon and sounder can be operated from the same power source or controlled individually.



Tone table:

Stage 1	Frequency Description.	(Stage 2)	(Stage 3)
Tone 1	340 Hz Continuous	Tone 2	Tone 5
Tone 2	800/1000Hz @ 0.25 sec Alternating	Tone 17	Tone 5
Tone 3	500/1200Hz @ 0.3Hz 0.5 sec Slow Whoop	Tone 2	Tone 5
Tone 4	800/1000Hz @ 1Hz Sweeping	Tone 6	Tone 5
Tone 5	2400Hz Continuous	Tone 3	Tone 20
Tone 6	2400/2900Hz @ 7Hz Sweeping	Tone 7	Tone 5
Tone 7	2400/2900Hz @ 1Hz Sweeping	Tone 10	Tone 5
Tone 8	500/1200/500Hz @ 0.3Hz Sweeping	Tone 2	Tone 5
Tone 9	1200/500Hz @ 1Hz - DIN / PFEER P.T.A.P.	Tone 15	Tone 2
Tone 10	2400/2900Hz @ 2Hz Alternating	Tone 7	Tone 5
Tone 11	1000Hz @ 1Hz Intermittent	Tone 2	Tone 5
Tone 12	800/1000Hz @ 0.875Hz Alternating	Tone 4	Tone 5
Tone 13	2400Hz @ 1Hz Intermittent	Tone 15	Tone 5
Tone 14	800Hz 0.25sec on, 1 sec off Intermittent	Tone 4	Tone 5
Tone 15	800Hz Continuous	Tone 2	Tone 5
Tone 16	660Hz 150mS on, 150mS off Intermittent	Tone 18	Tone 5
Tone 17	544Hz (100mS)/440Hz (400mS) - NF S 32-001	Tone 2	Tone 27
Tone 18	660Hz 1.8sec on, 1.8sec off Intermittent	Tone 2	Tone 5
Tone 19	1.4KHz-1.6KHz 1s, 1.6KHz-1.4KHz 0.5s -NFC48-265	Tone 2	Tone 5
Tone 20	660Hz Continuous	Tone 2	Tone 5
Tone 21	554Hz/440Hz @ 1Hz Alternating	Tone 2	Tone 5
Tone 22	544Hz @ 0.875 sec. Intermittent	Tone 2	Tone 5
Tone 23	800Hz @ 2Hz Intermittent	Tone 6	Tone 5
Tone 24	800/1000Hz @ 50Hz Sweeping	Tone 29	Tone 5
Tone 25	2400/2900Hz @ 50Hz Sweeping	Tone 29	Tone 5
Tone 26	Bell	Tone 2	Tone 15
Tone 27	554Hz Continuous	Tone 26	Tone 5
Tone 28	440Hz Continuous	Tone 2	Tone 5
Tone 29	800/1000Hz @ 7Hz Sweeping	Tone 7	Tone 5
Tone 30	300Hz Continuous	Tone 2	Tone 5
Tone 31	660/1200Hz @ 1Hz Sweeping	Tone 26	Tone 5
Tone 32	Two tone chime.	Tone 26	Tone 15

Country specific or custom tone configurations and alarm frequencies are available upon request.

Specification:

Sounder:

Maximum output:	112dB(A) @ 1 metre
Nominal output:	105dB(A) @ 1m +/- 3dB - Tone 2
No. of tones:	32 (UK00A / PFEER compliant)
No. of stages:	3
Volume control:	Max. 105dB(A); Min. 96dB(A) - Tone 2
Effective range:	60m @ 1KHz
Stage switching:	Negative Reverse polarity stage switching on DC units.

Beacon:

Light source:	Halogen Bulb G6,35 / GY6,35.
Light output:	max 25W
Rotation:	180 RPM (+/-30RPM).
Peak Candela:	821 cd
Candela:	125 cd* (effective intensity)
Lens colours:	Amber, Blue, Clear, Green, Red & Yellow
Drive life:	> 5,000 hrs

General:

Voltages DC:	12V dc; 24V dc
Voltages AC:	115V ac; 230V ac
Ingress protection:	IP65
Housing material:	High impact UL94 V0 & 5VA FR ABS
Lens material:	UV stable PC UL94 V0 FR Bayonet lens fixing, Anti-tamper locking screw.
Colour:	Red (RAL3000) and grey (RAL7038)
Cable entries:	2 x M20 clearance gland entries in side & back
Terminals:	0.5 to 1.5mm ² cables.
Operating temp:	-25 to +55°C
Storage temp:	-40 to +70°C
Relative humidity:	90% at 20°C.
Weight :	DC: 1.00kg AC:1.25kg

*Candela measurements representative of performance with clear lens at optimum voltage.
*SPL data +/-3dB(A). Measured at optimum voltage.

Part codes:

Version:	Part code:	Wattage:
12V dc	AB105RTHDC12[x]/[y]	20W
24V dc	AB105RTHDC24[x]/[y]	20W
115V ac	AB105RTHAC115[x]/[y]	25W
230V ac	AB105RTHAC230[x]/[y]	25W

[x] = Housing colour: G: Grey R: Red
[y] = Lens colour: A: Amber B: Blue C: Clear
G: Green R: Red Y: Yellow

Suffix part number with '-P' for programmable, 4 stage, 45 tone version.

Alarm sounder:

Version:	Voltage:	Current:
12/24V dc	10-30V dc	25mA*
115V ac	50/60Hz	+/-10% 20mA
230V ac	50/60Hz	+/-10% 15mA

* current at nominal voltage on Tone 2

Rotating beacon:

Version:	Wattage:	Current m:
12V dc	20W	1.72A
24V dc	20W	910mA
115V ac	50/60Hz	25W 216mA
230V ac	50/60Hz	25W 117mA

Features:

- Automatic synchronisation on multi-sounder system.
- Continuously rated.
- Stainless steel fixings.
- Unit can be mounted using external lugs or internal BESA compatible fixing positions.
- Duplicate cable terminations (in & out for daisy-chain installations).
- Tropicalisation available on request.
- Available with custom tone configurations and frequencies.
- 'Programmable' version available:
 - 45 alarm tones
 - 4 remotely selectable stages
 - Any tone can be assigned to any stage
 - User configurable continuous frequency tone

Approvals:

- Alarm sounder (A105N) VdS approved to EN54-3 (CPD 89/106/EEC).
- UK00A/PFEER compliant alarm tones.

Maahantuonti ja myynti:
Autrosafe Oy
puh. (09) 270 90 120
www.autrosafe.fi