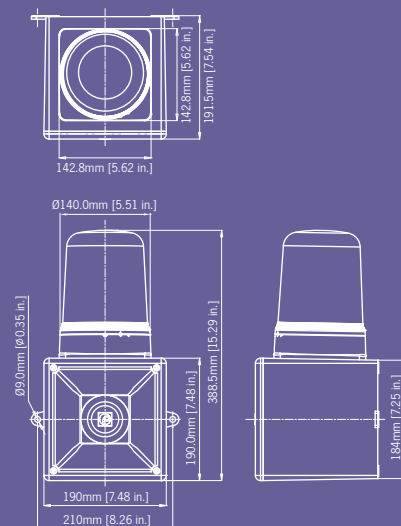


# AB121LDA Alarm Sounder & L.E.D. Beacon

The AB121LDA combines a heavy duty 126dB(A) alarm sounder with a powerful multi-function L.E.D beacon.

The beacon and sounder can be operated from the same power source or controlled individually.



## Tone table:

Stage 1	Frequency Description	Stage 2	Stage 3
Tone 1	340 Hz Continuous	Tone 2	Tone 5
Tone 2	800/1000Hz @ 0.25 sec Alternating - BS5839 Alarm tone	Tone 17	Tone 5
Tone 3	500/1200Hz @ 0.3Hz 0.5 sec Slow Whoop - NEN 2575:2000	Tone 2	Tone 5
Tone 4	800/1000Hz @ 1Hz Sweeping	Tone 6	Tone 5
Tone 5	2400Hz Continuous	Tone 3	Tone 20
Tone 6	2400/2900Hz @ 7Hz Sweeping	Tone 7	Tone 5
Tone 7	2400/2900Hz @ 1Hz Sweeping	Tone 10	Tone 5
Tone 8	500/1200/500Hz @ 0.3Hz Sweeping	Tone 2	Tone 5
Tone 9	1200/500Hz @ 1Hz - DIN / PFEER P.T.A.P.	Tone 15	Tone 2
Tone 10	2400/2900Hz @ 2Hz Alternating	Tone 7	Tone 5
Tone 11	1000Hz @ 1Hz Intermittent	Tone 2	Tone 5
Tone 12	800/1000Hz @ 0.875Hz Alternating	Tone 4	Tone 5
Tone 13	2400Hz @ 1Hz Intermittent	Tone 15	Tone 5
Tone 14	800Hz 0.25sec on, 1 sec off Intermittent	Tone 4	Tone 5
Tone 15	800Hz Continuous	Tone 2	Tone 5
Tone 16	660Hz 150mS on, 150mS off Intermittent	Tone 18	Tone 5
Tone 17	544Hz (100mS)/440Hz (400mS) - AFNOR NF S 32-001	Tone 2	Tone 27
Tone 18	660Hz 1.8sec on, 1.8sec off Intermittent	Tone 2	Tone 5
Tone 19	1.4KHz-1.6KHz 1s, 1.6KHz-1.4KHz 0.5s - AFNOR NFC48-265	Tone 2	Tone 5
Tone 20	660Hz Continuous	Tone 2	Tone 5
Tone 21	554Hz/440Hz @ 1Hz Alternating	Tone 2	Tone 5
Tone 22	544Hz @ 0.875 sec. Intermittent	Tone 2	Tone 5
Tone 23	800Hz @ 2Hz Intermittent	Tone 6	Tone 5
Tone 24	800/1000Hz @ 50Hz Sweeping	Tone 29	Tone 5
Tone 25	2400/2900Hz @ 50Hz Sweeping	Tone 29	Tone 5
Tone 26	Bell	Tone 2	Tone 15
Tone 27	554Hz Continuous	Tone 26	Tone 5
Tone 28	440Hz Continuous	Tone 2	Tone 5
Tone 29	800/1000Hz @ 7Hz Sweeping	Tone 7	Tone 5
Tone 30	300Hz Continuous	Tone 2	Tone 5
Tone 31	660/1200Hz @ 1Hz Sweeping	Tone 26	Tone 5
Tone 32	Two tone chime.	Tone 26	Tone 15
Tone 33	745Hz @ 1Hz Intermittent	Tone 2	Tone 5
Tone 34	1000 & 2000Hz @ 0.5 sec Alternating - Singapore	Tone 38	Tone 45
Tone 35	420Hz @ 0.625 sec Australian Alert - AS2220	Tone 36	Tone 5
Tone 36	500-1200Hz 3.75sec /0.25sec. Australian Evac. - AS2220	Tone 35	Tone 5
Tone 37	1000Hz Continuous - PFEER Toxic Gas	Tone 9	Tone 45
Tone 38	2000Hz Continuous	Tone 34	Tone 45
Tone 39	800Hz 0.25sec on, 1 sec off Intermittent	Tone 23	Tone 17
Tone 40	544Hz (100mS)/440Hz (400mS) - AFNOR NF S 32-001	Tone 31	Tone 27
Tone 41	Motor Siren - slow rise to 1200 Hz	Tone 2	Tone 5
Tone 42	Motor Siren - slow rise to 800 Hz	Tone 2	Tone 5
Tone 43	1200 Hz Continuous	Tone 2	Tone 5
Tone 44	Motor Siren - slow rise to 2400 Hz	Tone 2	Tone 5
Tone 45	1KHz 1s on, 1s off Intermittent - PFEER Gen. Alarm	Tone 38	Tone 34

Country specific or custom tone configurations and alarm frequencies are available upon request.

## Specification:

Sounder:	
Maximum output:	126dB(A) @ 1 metre
Nominal output:	121dB(A) @ 1m +/- 3dB - Tone 2
No. of tones:	45 (UKOOA / PFEER compliant)
No. of stages:	3
Volume control:	Max. 121dB(A); Min.112dB(A) - Tone 2
Effective range:	300m @ 1KHz
Beacon:	
Light source:	Array of 32 multi-function high power L.E.D's
Operating modes:	4 rotating configurations 4 flashing configurations Steady mode for indicator / status applications
Peak candela:	30 cd* - measured ref. to I.E.S.
Effective candela:	30 cd* - measured ref. to I.E.S.
No. of stages:	DC unit also features a remotely selectable 2nd and 3rd stage flash pattern.
L.E.D /lens colours:	Amber, Blue, Clear (white L.E.D.s), Green, Red & Yellow
General:	
Voltages DC:	24V dc (10-30V dc); 48V dc (35-60V dc)
Voltages AC:	115V ac; 230V ac
Ingress protection:	IP65
Housing material:	High impact UL94 V0 & 5VA FR ABS
Lens material:	UV stable PC UL94 V0 FR Bayonet lensfixing , Anti-tamper locking screw.
Colour:	Red (RAL3000) & Grey (RAL7038)
Cable entries:	2 x M20 clearance gland entries in side & back
Terminals:	0.5 to 4.0mm <sup>2</sup> cables.
Operating temp:	-25 to +55°C
Storage temp:	-40 to +70°C
Relative humidity:	90% at 20°C.
Weight :	DC: 2.10kg AC:2.70kg

\*Candela measurements representative of performance with amber lens at optimum voltage.  
\*SPL data +/-3dB(A). Measured at optimum voltage.

## Part codes:

Version:	Part code:
24V dc	AB121LDADC24[x]/[y]
48V dc	AB121LDADC48[x]/[y]
115V ac	AB121LDAAC115[x]/[y]
230V ac	AB121LDAAC230[x]/[y]
[x] = Housing:	G: Grey, R: Red
[y] = Lens:	A: Amber, B: Blue, C: Clear G: Green, R: Red, Y: Yellow

Suffix part number with 'P' for programmable, 4 stage, 45 tone version.

## Alarm sounder:

Version:	Voltage:	Current:
24V dc	10-30V dc	950mA*
48V dc	35-60V dc	600mA*
115V ac	50/60Hz +/-10%	240mA
230V ac	50/60Hz +/-10%	120mA

\* current at nominal voltage on Tone 2

## L.E.D. beacon:

Version:	Voltage:	Current:
24V dc	10-50V dc	400mA*
48V dc	10-50V dc	400mA*
115V ac	50/60Hz +/-10%	140mA
230V ac	50/60Hz +/-10%	70mA

\* current at 24V dc

## Flash patterns

Stage 1	Stg2 [DC only]	Stg3 [DC only]
All L.E.D's on	Alt Side Flash 2Hz	2x Flash 2Hz
Rotating: Slow1	Alt Side Flash 2Hz	All L.E.D's on
1x Flash 2Hz	Rotating: Fast 2	All L.E.D's on
Rotating: Fast 1	1x Flash 2Hz	All L.E.D's on
Rotating: Slow 2	2x Flash 1Hz	All L.E.D's on
2x Flash 2Hz	Rotating: Fast 2	All L.E.D's on
Rotating: Fast 2	2x Flash 2Hz	All L.E.D's on
2x Flash 1Hz	Alt Side Flash 2Hz	All L.E.D's on
Alt Side Flash 2Hz	Rotating: Fast 2	All L.E.D's on

## Features:

- Automatic synchronisation on multi-sounder system.
- Continuously rated.
- Stainless steel fixings.
- Unit can be mounted using external lugs or internal BESA compatible fixing positions.
- Duplicate cable terminations (in & out for daisy-chain installations).
- Tropicalisation available on request.
- Available with custom tone configurations and frequencies.
- 'Programmable' version available:
  - 45 alarm tones
  - 4 remotely selectable stages
  - Any tone can be assigned to any stage
  - User configurable continuous frequency tone

## Approvals:

- Alarm sounder (A121) VdS approved to EN54-3 (CPD 89/106/EEC).
- UKOOA/PFEER compliant alarm tones.

Maahantuonti ja myynti:  
Autrosafe Oy  
puh. (09) 270 90 120  
www.autrosafe.fi



G205121



0786-CPD-20257