

Flashing Lights 13 Joules

Quadro F12 / Quadro S



Quadro F12

- industrial successor to the legendary Eiffel Tower light
- design adapted to suit industrial requirements; mounted via concealed interior holes or external lugs; fast, flexible and secure
- outstanding mechanical strength with IP 66, IP 67 and IK 08;
- whether in the open air, in a hailstorm or when high pressure cleaning systems are used, the Quadro stays sealed and signals reliably

Quadro S

- automatic synchronised flashing light
- a maximum of 10 flashing lights can be operated parallel and synchronously an unlimited time period; i.e. the flashes of all lights are generated simultaneously



Covering distance as per EN 54



Protection system



Protection system



Impact-proof housing



Operating temperature



Electrical data	Quadro F12			Quadro S
Rated voltage	230 V AC	115 V AC	24 V DC	230 V AC
Rated frequency	50 / 60 Hz	50 / 60 Hz		50 / 60 Hz
Operating range	195 – 253 V	95 – 127 V	18 – 30 V	195 – 253 V
Nominal current consumption	250 mA	340 mA	700 mA	250 mA
Initial current limited to	< 7 A / 150 µs	< 7 A / 150 µs	< 5 A / 2 ms	< 1 A / 50 ms

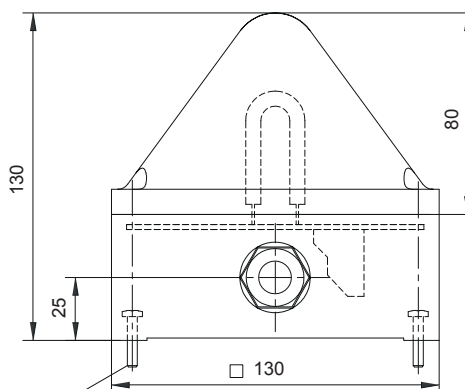
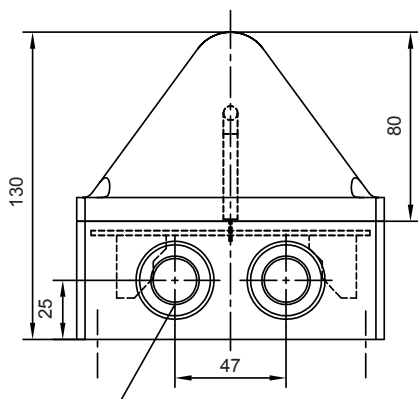
Mechanical data	Quadro F12	Quadro S
Flash rate	1 Hz = 60 flashes/min.	
Flash energy	13 J	
Light intensity (DIN 5037) ¹	140 cd	
Lens colours	clear, white, yellow, amber, red, green, blue	
Operating temperature	- 40 °C ... + 55 °C	
Storage temperature	- 40 °C ... + 70 °C	
Relative humidity	100%	
Protection system according to EN 60529	IP 66, IP 67, mounting arbitrary	
Impact resistance as per EN 50102	IK 08	
Protection class	II	
Duty cycle	100%	
Service life of the flash tube	light emission still 70% after 12,000,000 flashes	
Material	lens	polycarbonate (PC)
	housing	polycarbonate (PC), RAL 7035
Cable entry	2 x M20 bottom side / 2 x M20/M32 sideways	2 x M20 sideways
Connecting terminals	cage clamp terminal 0.08 - 2.5 mm ²	
Mounting	external lugs	113 x 153 mm – M5 or 127.1 x 127.1 mm – M5
	internal holes	113 x 113 mm
Weight	600 g	

¹ with a clear lens

Dimensions

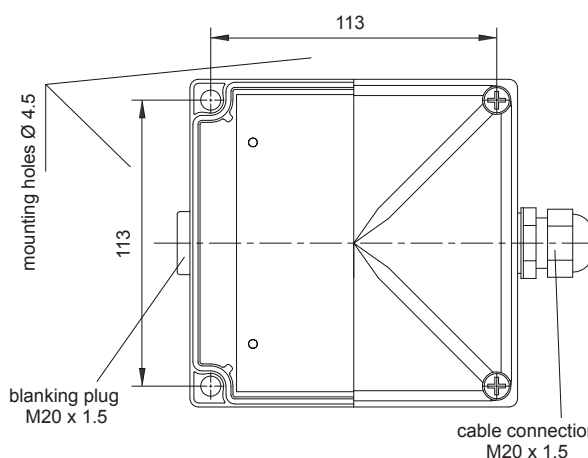
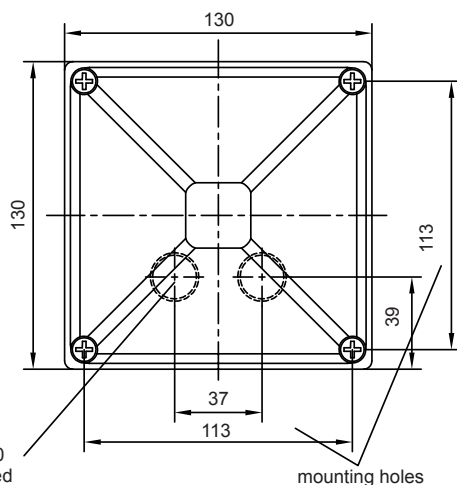
Quadro F12

Quadro S



2 x M20 (M32 prepared)

mounting screw
e.g. 4 x M4 x 20



2 x M20 prepared

mounting holes

blanking plug
M20 x 1.5

cable connection
M20 x 1.5

Additional mounting possible via external lugs (included).

Ordering details

Article numbers		Quadro F12			Quadro S
Lens colour	Rated voltage	230 V AC	115 V AC	24 V DC	230 V AC
clear		210 41 10 1 000	210 41 16 1 000	210 41 80 1 000	210 42 10 1 000
yellow		210 41 10 3 000	210 41 16 3 000	210 41 80 3 000	210 42 10 3 000
amber		210 41 10 4 000	210 41 16 4 000	210 41 80 4 000	210 42 10 4 000
red		210 41 10 5 000	210 41 16 5 000	210 41 80 5 000	210 42 10 5 000

Article numbers for other colours and voltages on request

Options / Accessories



Conformity to standards

The visual characteristics of flashing lights conform to the European standard DIN EN 842: "Machine safety - visual alarm signals". Requirements contained in the DIN EN 981 standard: "Machine safety - system of acoustic and visual alarm and information signals", can be fulfilled.

The colours 'red' for the emergency signal and 'yellow' for the warning signal conform to the requirements of IEC 73 / DIN EN 60073 / VDE 0199: "Coding of display devices and control elements using colours and supplementary means".

References to visual alarm devices can be found in the following standards:
 EN 60825-1 Radiation safety of laser devices, identical to IEC 825 and DIN-VDE 0837
 DIN EN 54 Fire alarm systems
 DIN 54113-2 Radiation protection regulations for the technical operation of X-ray equipment up to 500 kV

Maahantuonti ja myynti: Autrosafe Oy, puh. (09) 270 90 120, www.autrosafe.fi