

Traffic Light Quadro LED-TL



Bright LED signal lights for traffic light applications, e.g. for

- traffic routing in non-public areas
- conveyer and storage systems
- crane safety (see also 'Regulations and standards for crane applications', page 81)
- container handling systems
- extraordinary housing protection (IP 66, IK0 8 and UV-protected PC housing) and innovative LED technology provide for very bright signals, long service lives and reliable operation
- mounted using external lugs or internal holes that do not impair the IP protection; mounting can be performed in any direction
- preassembled as traffic light and ready to connect
- also available as non-preassembled version
- optionally with integrated light sensor for optimal adaptation to the ambient light (glare avoidance)



Protection system



Impact-proof housing



Operating temperature

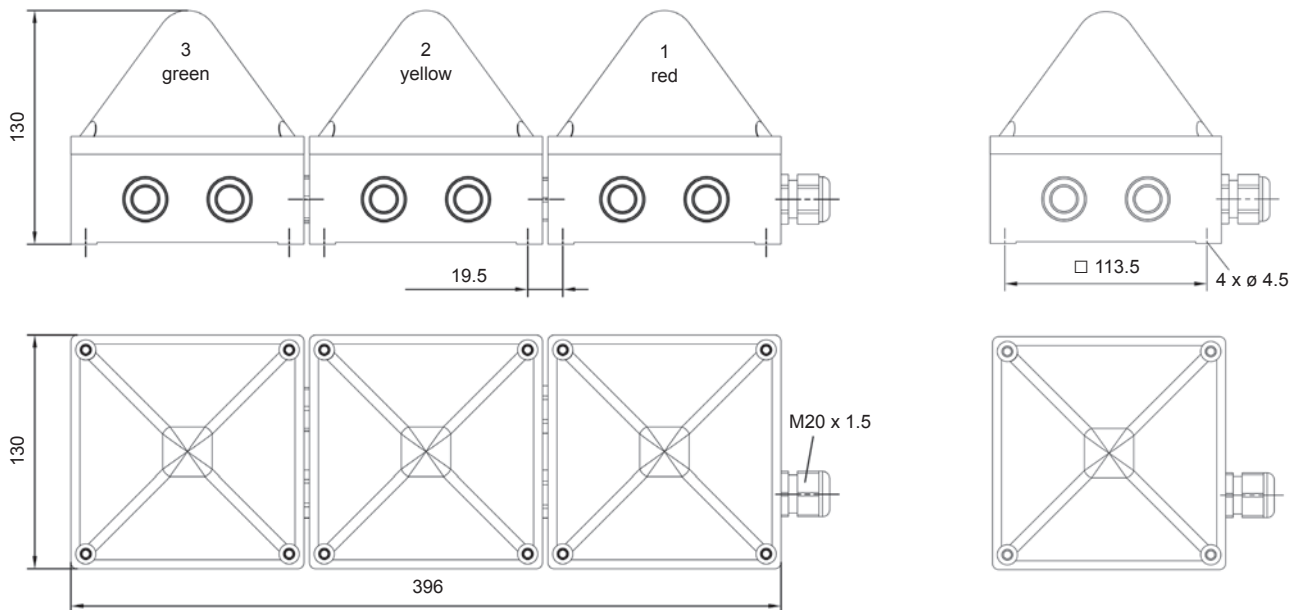


Light sensor (optional)

Electrical data	Quadro LED-TL	
Rated voltage	115 / 230 V AC	24 V DC
Rated frequency	50 / 60 Hz	
Operating range	85 – 265 V	10 – 30 V
Max. current consumption	60 mA / 30 mA	1.06 A

Mechanical data	Quadro LED-TL	
Operating mode	LED continuous light	
Light source	high output LED array	
Light intensity (DIN 5037)	> 80 cd	
Lens colours	red / yellow / green	
Operating temperature	- 30 °C ... + 55 °C	
Storage temperature	- 40 °C ... + 70 °C	
Relative humidity	95%	
Protection system according to EN 60529	IP 66; IK 08 (EN 50102), mounting arbitrary	
Duty cycle	100%	
Service life of light source	> 50,000 hrs	
Material	lens	polycarbonate (PC), UV-resistant
	housing	polycarbonate (PC), UV-resistant, RAL 7035
Cable entry	M20/M32 sideways, other imprints prepared	
Connecting terminals	cage clamp terminal 0.08 – 2.5 mm ² (in the red light)	
Mounting	external lugs or internal holes	
Weight	1.32 kg	

Dimensions



Regulations and standards for crane applications

DIN-EN 13000:2004-09 Cranes – truck-mounted cranes	Visual warning to the driver (EN 842) in the case of	<ul style="list-style-type: none"> - approaching the load capacity (at 90 - 98.5% of the permissible load capacity) - triggering of the overload safety system - overriding of the overload safety system
DIN-EN 14439:2006 Safety – rotating tower cranes	Visual warning by the crane driver (EN 457) to persons in the vicinity in the case of	<ul style="list-style-type: none"> - remote control – green, continuous light - anti-collision – white, blinking light - rotating (in some cases when required by local authorities) – green, blinking light
	Visual warning to the driver (EN 842) in the case of	<ul style="list-style-type: none"> - approaching the load capacity (at 90 - 95% of the permissible load capacity) – yellow, continuous light - wind warning and alarm – yellow, blinking light and red, blinking light

Ordering details

Article numbers		Quadro LED-TL		Quadro LED-TLi (with light sensor)	
Lens colour	Rated voltage	115/230 V AC	24 V DC	115/230 V AC	24 V DC
red / yellow / green		211 06 64 0 008	211 06 63 0 008	211 07 64 0 008	211 07 63 0 008
yellow		211 06 64 3 000	211 06 63 3 000	211 07 64 3 000	211 07 63 3 000
red		211 06 64 5 000	211 06 63 5 000	211 07 64 5 000	211 07 63 5 000
green		211 06 64 6 000	211 06 63 6 000	211 07 64 6 000	211 07 63 6 000

Article numbers for other combinations on request

Conformity to standards

The visual characteristics of LED lights conform to the European standard DIN EN 842: “**Machine safety - visual alarm signals**“.
Requirements contained in the DIN EN 981 standard: “**Machine safety - system of acoustic and visual alarm and information signals**“, can be fulfilled.

The colours ‘red’ for the emergency signal and ‘yellow’ for the warning signal conform to the requirements of IEC 73 / DIN EN 60073 / VDE 0199: “**Coding of display devices and control elements using colours and supplementary means**“.

References to visual alarm devices can be found in the following standards:
 EN 60825-1 Radiation safety of laser devices, identical to IEC 825 and DIN-VDE 0837
 DIN EN 54 Fire alarm systems
 DIN 54113-2 Radiation protection regulations for the technical operation of X-ray equipment up to 500 kV

Maahantuonti ja myynti: Autrosafe Oy, puh. (09) 270 90 120, www.autrosafe.fi