

# Flashing Light 13 Joules Quadro S-M-Flex



Proven tunnel safety light; conforms to the guideline of the Swiss Federal Highways Authority: 'Signaling systems of safety devices in tunnels'

- synchronised flashing of up to 10 beacons in series with no additional controller
- initial current limited to below 1 A
- integrated function monitoring with fault message contact
- variable brightness and flash frequency settings on-site on the device
- use of double-pole terminals for the simple connection of parallel operated lights



Covering distance as per EN 54



Protection system



Protection system



Impact-proof housing



Inrush current limited to < 1A



Sync



Operating temperature

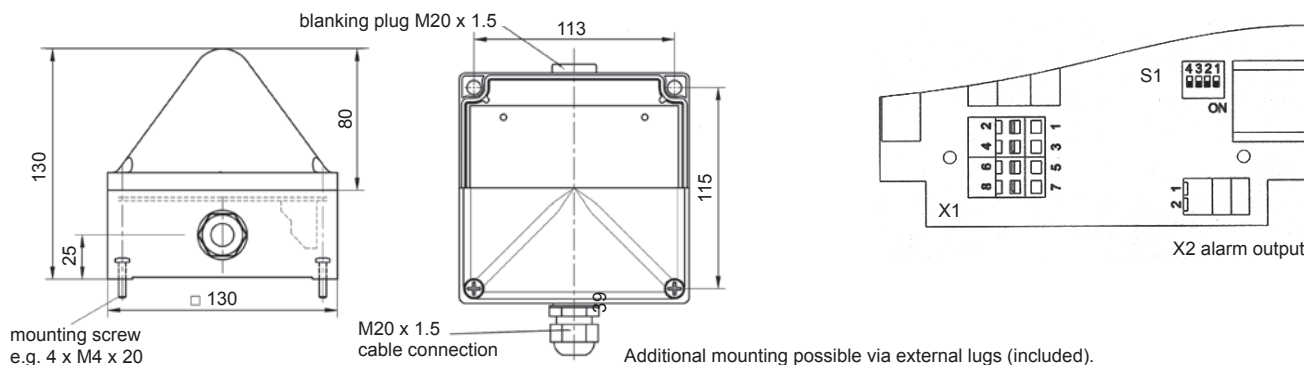
Electrical data	Quadro S-M-Flex	
Rated voltage	230 V AC	115 V AC
Rated frequency	50 / 60 Hz	50 / 60 Hz
Operating range	195 – 253 V	95 – 127 V
Nominal current consumption	250 mA (1 Hz / 13 J)	350 mA (1 Hz / 13 J)
Initial current limited to	< 1 A / 10 ms	
Alarm output	230 V / 80 mA	

Mechanical data	Quadro S-M-Flex	
Flash rate	adjustable (1 Hz = 60 flashes/min. factory setting)	
Flash energy	max. 13 J	
Light intensity (DIN 5037) <sup>1</sup>	140 cd	
Lens colours	clear, white, yellow, amber, red, green, blue	
Operating temperature	- 25 °C ... + 55 °C	
Storage temperature	- 40 °C ... + 70 °C	
Relative humidity	100%	
Protection system according to EN 60529	IP 66, IP 67; mounting arbitrary	
Impact resistance as per EN 50102	IK 08	
Protection class	II	
Duty cycle	100%	
Service life of the flash tube	light emission still 70% after 12,000,000 flashes	
Material	lens	polycarbonate (PC)
	housing	polycarbonate (PC), RAL 7035
Connecting terminals	cage clamp terminal 0.08 - 2.5 mm <sup>2</sup>	
Cable entry (prepared)	2 x M20 x 1.5 sideways	
Mounting	external lugs	113 x 153 mm – M5 or 127.1 x 127.1 mm – M5
	internal holes	113 x 113 mm
Weight	600 g	

<sup>1</sup> with a clear lens

**Dimensions**

**Fault message contact**



DIP switch setting				Setting	
4	3	2	1	Frequency (Hz)	Flash energy (J)
				1	13
			ON	1.33	13
		ON		0.5	13
		ON	ON	0.1	13
	ON			1	7.5
	ON		ON	2	7.5
	ON	ON		0.5	7.5
	ON	ON	ON	0.1	7.5
ON				1.5	11
ON			ON	1.75	10
ON		ON		2.5	7.5
ON		ON	ON		7.5
ON	ON				7.5
ON	ON		ON		7.5
ON	ON	ON			7.5
ON	ON	ON	ON	only one flash	13
without synchronisation				0.66	7.5

**Ordering details**

Article numbers		Quadro S-M-Flex
Lens colour	Rated voltage	230 V AC
clear		210 42 10 1 179
yellow		210 42 10 3 179
amber		210 42 10 4 179
red		210 42 10 5 179

Article numbers for other colours and voltages on request

**Options / Accessories**



**Conformity to standards**

The visual characteristics of flashing lights conform to the European standard DIN EN 842: "Machine safety - visual alarm signals". Requirements contained in the DIN EN 981 standard: "Machine safety - system of acoustic and visual alarm and information signals", can be fulfilled. The colours 'red' for the emergency signal and 'yellow' for the warning signal conform to the requirements of IEC 73 / DIN EN 60073 / VDE 0199: "Coding of display devices and control elements using colours and supplementary means".

References to visual alarm devices can be found in the following standards:  
 EN 60825-1 Radiation safety of laser devices, identical to IEC 825 and DIN-VDE 0837  
 DIN EN 54 Fire alarm systems  
 DIN 54113-2 Radiation protection regulations for the technical operation of X-ray equipment up to 500 kV

Maahantuonti ja myynti: Autrosafe Oy, puh. (09) 270 90 120, www.autrosafe.fi