

PATROL SOUNDERS 100/105 dB(A) PA 1 / PA 5



PATROL - the new generation of sounders.

Three dimensional innovation;

- safe; an incorrect installation is virtually impossible
- easy; significantly shorter assembly and installation times
- economical; extremely high efficiency and good penetration of acoustical obstacles significantly reduce the required number of sounders



reddot design award
winner 2013

PA 1

PA 5



max. covering distance



Protection system



Impact-proof housing



Operating temperature



Acoustic penetration



24–48 V DC



24–48 V DC



Warranty

Electrical data	PA 1			
Rated voltage	230 V AC	115 V AC	24 V AC	10 – 57 V DC
Rated frequency	50 / 60 Hz	50 / 60 Hz	50 / 60 Hz	
Operating range	195 – 253 V	95 – 127 V	18 – 30 V	10 – 57 V
Nominal current consumption	9 – 15 mA	8 – 30 mA	59 – 120 mA	6 – 80 mA
Electrical data	PA 5			
Rated voltage	230 V AC	115 V AC	24 V AC	10 – 57 V DC
Rated frequency	50 / 60 Hz	50 / 60 Hz	50 / 60 Hz	
Operating range	± 10%	± 10%	± 10%	10 – 57 V
Nominal current consumption ¹	9 – 15 mA	8 – 30 mA	59 – 120 mA	6 – 80 mA

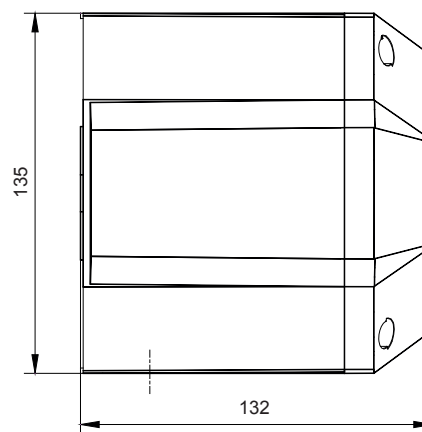
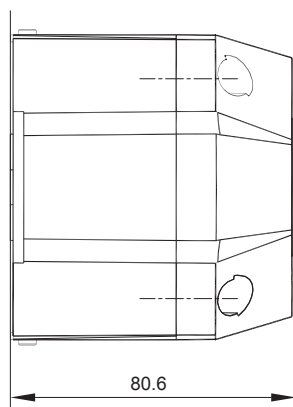
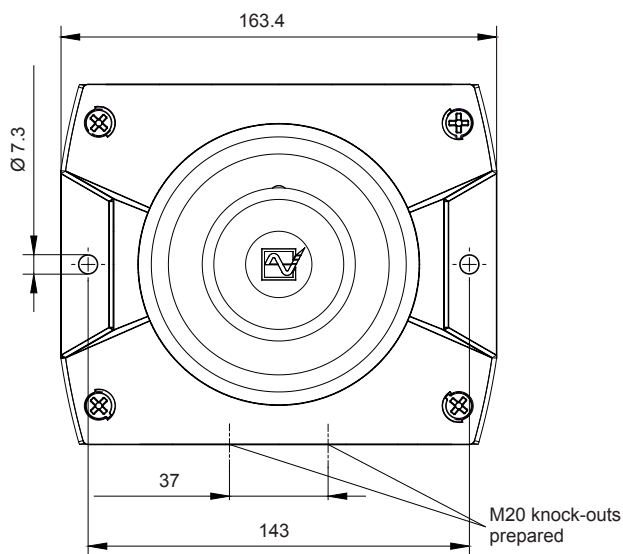
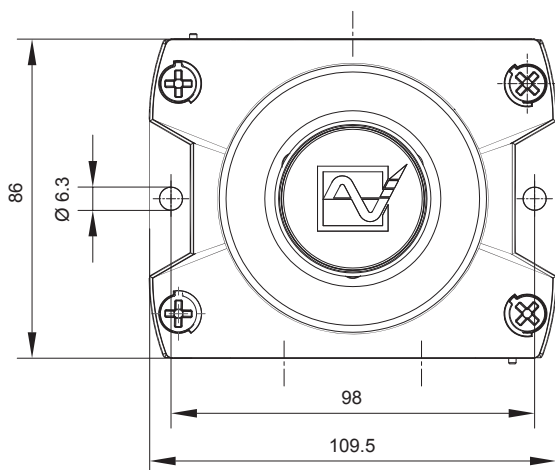
¹ power consumption dependent on operating voltage

Mechanical data	PA 1	PA 5
Sound pressure level	100 dB (A)	105 dB (A)
Sound level reduction	max. - 16 dB via potentiometer	
Alarm tones	80 (see tone table page 140/141)	
Operating temperature	- 40 °C ... + 55 °C	
Storage temperature	- 40 °C ... + 70 °C	
Relative humidity	90%	
Protection system according to EN 60529	IP 66	
Protection class	II	
Duty cycle	100%	
Material	PC / ABS blend	
Colour	similar to RAL 3000 (flame red) / RAL 7035 (light grey) / RAL 9003 (signal white)	
Cable entry	3 x M20 knock-outs on side, 1 knock-out on back	5 x M20 knock-outs on side, 1 knock-out on back
Integrated seal with cable entry	6 – 13 mm (feed-through grommet)	
Connecting terminals	2.5 mm ² fine wire with cable end sleeve, AWG 16	
Weight	AC	405 g
	DC	270 g
		778 g
		643 g

Dimensions

PA 1

PA 5



Ordering details

Article numbers		PA 1			PA 5		
Version	Rated voltage	230 V AC	115 V AC	10-57 V DC	230 V AC	115 V AC	10-57 V DC
Standard	housing red	233 10 10 0 000	233 10 15 0 000	233 10 63 0 000	233 50 10 0 000	233 50 15 0 000	233 50 63 0 000
GL	housing red	233 10 10 0 001	233 10 15 0 001	233 10 63 0 001	233 50 10 0 001	233 50 15 0 001	233 50 63 0 001
Standard	housing grey	233 10 10 0 055	233 10 15 0 055	233 10 63 0 055	233 50 10 0 055	233 50 15 0 055	233 50 63 0 055
GL	housing grey	233 10 10 0 056	233 10 15 0 056	233 10 63 0 056	233 50 10 0 056	233 50 15 0 056	233 50 63 0 056

Article numbers for other voltages and versions on request

Options / Accessories



GL



MED



CNBOP



Enclosure fitting



Surface gasket



Tamper-proof sealing



Panel mounting kit



SSM
(only for 24 V DC)

See page 141 for further information

Conformity to standards

The acoustic parameters conform to the European standard DIN EN ISO 7731;
"Ergonomic – alarm signals for public areas and workplaces – acoustic alarm signals".

The requirement for an acoustic alarm signal can be found in the harmonised standards:
EN 60204-1 Electrical equipment of machines
EN 60825-1 Radiation safety of laser devices, identical to IEC 825 and DIN-VDE 0837

Maahantuonti ja myynti: Autrosafe Oy, www.autrosafe.fi, puh (09) 270 90 120