

PATROL FLASHING SOUNDERS 100/105 dB(A) / 5/10 J PA X 1-05 / PA X 5-05 / PA X 5-10



PATROL - the new generation of sounder/flashing light combinations. Three dimensional innovation;

- safe; an incorrect installation is virtually impossible
- easy; significantly shorter assembly and installation times
- economical; extremely high efficiency and good penetration of acoustical obstacles significantly reduce the required number of sounders
- pre-wired sounder and light ex works
- corresponding light intensity available for every sound pressure level



reddot design award
winner 2013

PA X 1

PA X 5



Covering distance



Protection system



Impact-proof housing



Operating temperature



Acoustic penetration



PA X 1



24 V DC,
48 V DC

PA X 1



24 V DC,
48 V DC

PA X 1



24 V DC,
48 V DC



UL



Warranty

Electrical data		PA X 1-05					
Rated voltage		230 V AC	115 V AC	24 V AC	48 V DC	24 V DC	12 V DC
Rated frequency		50 / 60 Hz	50 / 60 Hz	50 / 60 Hz			
Operating range		187 – 255 V	90 – 135 V	18 – 30 V	40 – 60 V	18 – 30 V	12 – 15 V
Nominal current consumption ¹		65 – 70 mA	110 – 130 mA	860 – 920 mA	190 – 150 mA	315 – 365 mA	610 – 625 mA
Electrical data		PA X 5					
Rated voltage		230 V AC	115 V AC	24 V AC	48 V DC	24 V DC	12 V DC
Rated frequency		50 / 60 Hz	50 / 60 Hz	50 / 60 Hz			
Operating range		187 – 255 V	90 – 135 V	18 – 30 V	40 – 60 V	18 – 30 V	12 – 15 V
Nominal current consumption ¹	5 J	65 – 70 mA	110 – 130 mA	860 – 920 mA	190 – 150 mA	315 – 365 mA	610 – 625 mA
	10 J	150 – 155 mA	250 – 260 mA	1,460 – 1,520 mA	320 – 380 mA	565 – 620 mA	1,200 – 1,220 mA

¹ power consumption dependent on operating voltage

Mechanical data		PA X 1-05	PA X 5-05	PA X 5-10
Sound pressure level		100 dB (A)	105 dB (A)	105 dB (A)
Sound level reduction		max. - 16 dB via potentiometer		
Alarm tones		80 (see tone table page 164/165)		
Flash energy		5 J	5 J	10 J
Flash rate		1 Hz = 60 flashes/min.		
Light intensity (DIN 5037) ¹		44 cd	47 cd	92 cd
Operating temperature		- 40 °C ... + 55 °C		
Storage temperature		- 40 °C ... + 70 °C		
Relative humidity		90%		
Protection system according to EN 60529		IP 66		
Protection class		II		
Duty cycle		100%		
Service life of the flash tube		light emission still 70% after 8,000,000 flashes		
Material	sounder	PC / ABS blend		
	lens flashing light	polycarbonate (PC)		
Housing colour		similar to RAL 3000 (flame red) / RAL 7035 (light grey) / RAL 9003 (signal white)		
Lens colour		clear, white, yellow, amber, red, green, blue		
Cable entry		3 x M20 knock-outs on side, 1 knock-out on back		
Integrated seal with cable entry		6 – 13 mm (feed-through grommet)		
Connecting terminals		2.5 mm ² fine wire with cable end sleeve, AWG 16		
Weight	AC	725 g	983 g	
	DC	560 g	800 g	

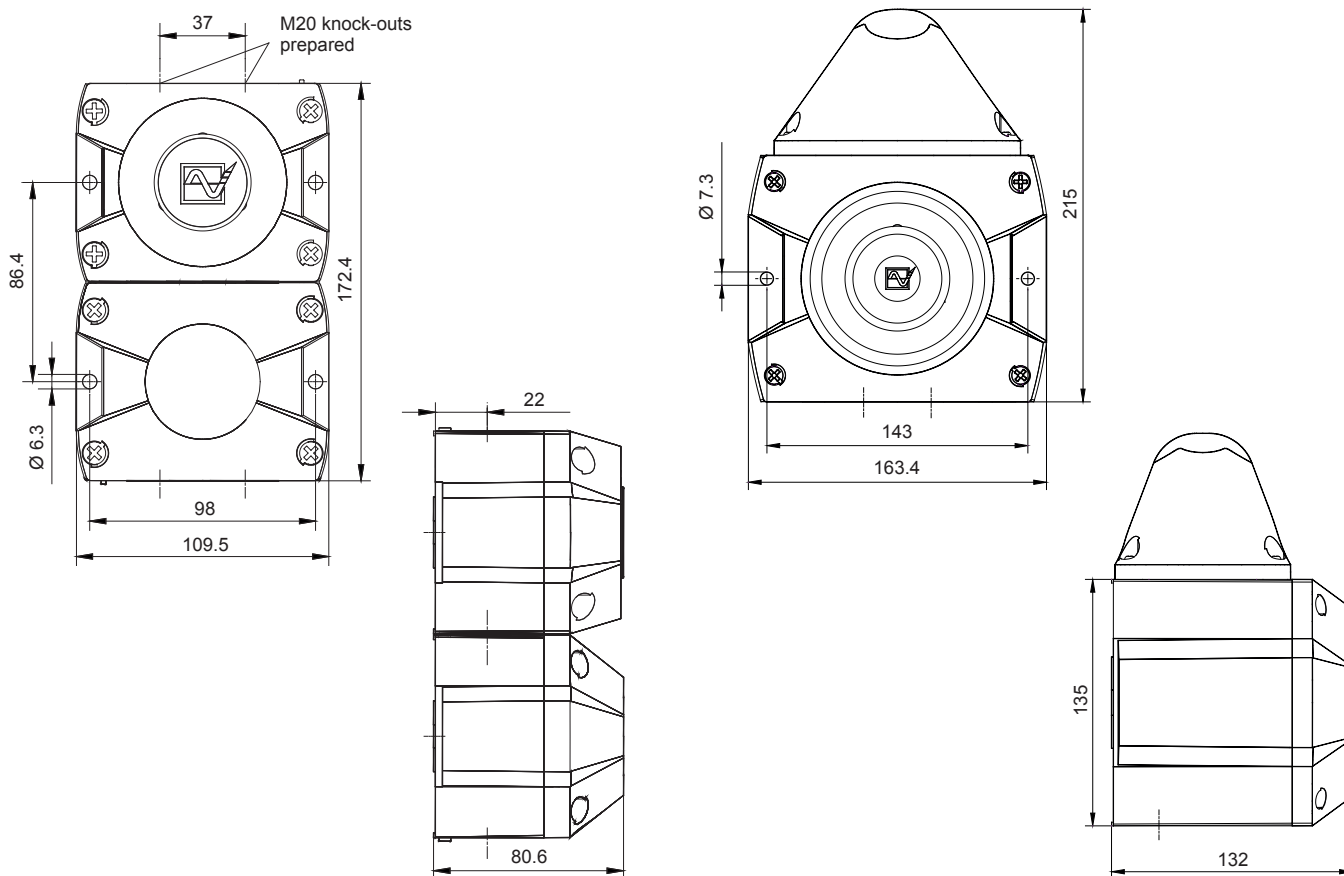
¹ with a clear lens

Maahantuonti ja myynti: Autrosafe Oy, www.autrosafe.fi, puh (09) 270 90 120

Dimensions

PA X 1-05

PA X 5-05



Ordering details

Article numbers		PA X 1-05 – housing red			PA X 1-05 – housing grey		
Version	Rated voltage	230 V AC	115 V AC	24 V DC	230 V AC	115 V AC	24 V DC
clear lens		233 11 10 1 000	233 11 15 1 000	233 11 80 1 000 ¹	233 11 10 1 055	233 11 15 1 055	233 11 80 1 055 ¹
yellow lens		233 11 10 3 000	233 11 15 3 000	233 11 80 3 000	233 11 10 3 055	233 11 15 3 055	233 11 80 3 055
amber lens		233 11 10 4 000	233 11 15 4 000	233 11 80 4 000	233 11 10 4 055	233 11 15 4 055	233 11 80 4 055
red lens		233 11 10 5 000	233 11 15 5 000	233 11 80 5 000 ¹	233 11 10 5 055	233 11 15 5 055	233 11 80 5 055 ¹
Article numbers		PA X 5-05 – housing red			PA X 5-05 – housing grey		
Version	Rated voltage	230 V AC	115 V AC	24 V DC	230 V AC	115 V AC	24 V DC
clear lens		233 51 10 1 000	233 51 15 1 000	233 51 80 1 000	233 51 10 1 055	233 51 15 1 055	233 51 80 1 055
yellow lens		233 51 10 3 000	233 51 15 3 000	233 51 80 3 000	233 51 10 3 055	233 51 15 3 055	233 51 80 3 055
amber lens		233 51 10 4 000	233 51 15 4 000	233 51 80 4 000	233 51 10 4 055	233 51 15 4 055	233 51 80 4 055
red lens		233 51 10 5 000	233 51 15 5 000	233 51 80 5 000	233 51 10 5 055	233 51 15 5 055	233 51 80 5 055

Article numbers for other voltages and versions on request

¹ version with EN 54-23 approval

Options / Accessories



GL



MED
(PA X 1)



CNBOP
(PA X 1)



Enclosure fitting



Surface gasket



Tamper-proof sealing

See page 165 for further information

Conformity to standards

The acoustic parameters conform to the European standard DIN EN ISO 7731;

“Ergonomic – alarm signals for public areas and workplaces – acoustic alarm signals”.

The requirement for an acoustic alarm signal can be found in the harmonised standards:

EN 60204-1

Electrical equipment of machines

EN 60825-1

Radiation safety of laser devices, identical to IEC 825 and DIN-VDE 0837

Maahantuonti ja myynti: Autrosafe Oy, www.autrosafe.fi, puh (09) 270 90 120