

# PATROL FLASHING SOUNDERS 110/120 dB(A) / 10/15 J PA X 10-10 / PA X 10-15 / PA X 20-10 / PA X 20-15



PATROL - the new generation of sounder/flashing light combinations.  
Three dimensional innovation;

- safe; an incorrect installation is virtually impossible
- easy; significantly shorter assembly and installation times
- economical; extremely high efficiency and good penetration of acoustical obstacles significantly reduce the required number of sounders
- pre-wired sounder and light ex works
- corresponding light intensity available for every sound pressure level



reddot design award  
winner 2013

PA X 10

PA X 20



Covering distance



Protection system



Impact-proof housing



Operating temperature



Acoustic penetration



Warranty

Electrical data		PA X 10					
Rated voltage		230 V AC	115 V AC	24 V AC	48 V DC	24 V DC	12 V DC
Rated frequency		50 / 60 Hz	50 / 60 Hz	50 / 60 Hz			
Operating range		187 – 255 V	90 – 135 V	18 – 30 V	40 – 60 V	18 – 30 V	12 – 15 V
Nominal current consumption <sup>1</sup>	10 J	160 – 215 mA	260 – 345 mA	1,650 – 2,300 mA	360 – 490 mA	665 – 935 mA	1,335 – 1,685 mA
	15 J	210 – 265 mA	360 – 445 mA	1,650 – 2,300 mA	420 – 540 mA	765 – 1,035 mA	1,535 – 1,885 mA
Electrical data		PA X 20					
Rated voltage		230 V AC	115 V AC	24 V AC	48 V DC	24 V DC	12 V DC
Rated frequency		50 / 60 Hz	50 / 60 Hz	50 / 60 Hz			
Operating range		187 – 255 V	90 – 135 V	18 – 30 V	40 – 60 V	18 – 30 V	12 – 15 V
Nominal current consumption <sup>1</sup>	10 J	215 – 335 mA	340 – 560 mA	1,900 – 3,200 mA	495 – 800 mA	845 – 1,430 mA	1,220 – 1,690 mA
	15 J	165 – 385 mA	440 – 660 mA	1,900 – 3,200 mA	545 – 850 mA	945 – 1,540 mA	1,520 – 1,890 mA

<sup>1</sup> power consumption dependent on operating voltage

Mechanical data		PA X 10-10	PA X 10-15	PA X 20-10	PA X 20-15
Sound pressure level		110 dB (A)		120 dB (A)	
Sound level reduction		max. - 12 dB via potentiometer			
Alarm tones		80 (see tone table page 164/165)			
Flash energy		10 J	15 J	10 J	15 J
Flash rate		1 Hz = 60 flashes/min.			
Light intensity (DIN 5037) <sup>1</sup>		129 cd	190 cd	129 cd	190 cd
Operating temperature		- 40 °C ... + 55 °C			
Storage temperature		- 40 °C ... + 70 °C			
Relative humidity		90%			
Protection system according to EN 60529		IP 66			
Protection class		II			
Duty cycle		100%			
Service life of the flash tube		light emission still 70% after 8,000,000 flashes			
Material	sounder	PC / ABS blend			
	lens flashing light	polycarbonate (PC)			
Housing colour		similar to RAL 3000 (flame red) / RAL 7035 (light grey) / RAL 9003 (signal white)			
Lens colour		clear, white, yellow, amber, red, green, blue			
Cable entry		4 x M20 knock-outs on side, 1 knock-out on back			
Integrated seal with cable entry		6 – 13 mm (feed-through grommet)			
Connecting terminals		2.5 mm <sup>2</sup> fine wire with cable end sleeve, AWG 16			
Weight	AC	2,133 g	2,163 g	2,268 g	2,298 g
	DC	2,056 g	2,086 g	2,191 g	2,221 g

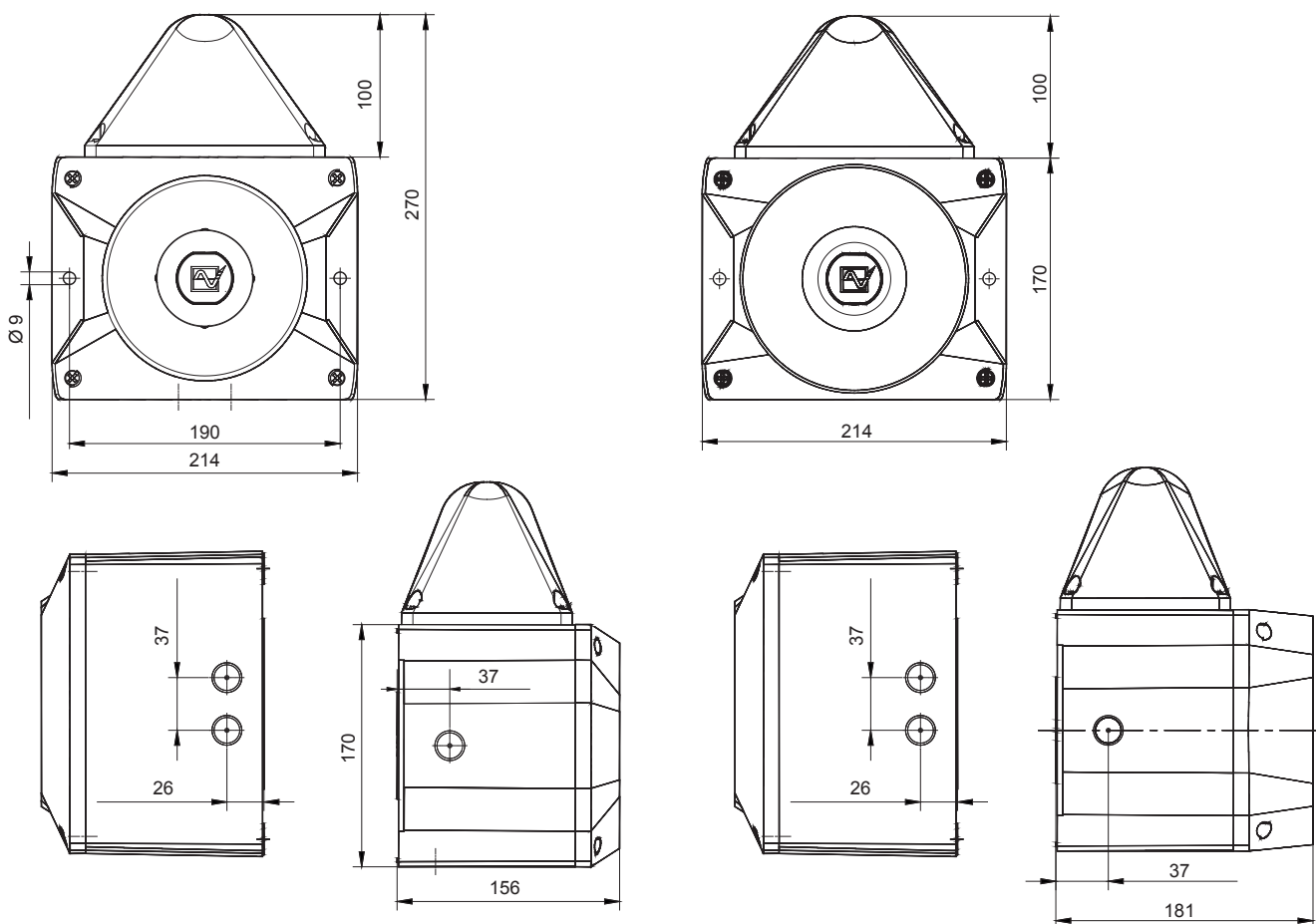
<sup>1</sup> with a clear lens

Maahantuonti ja myynti: Autrosafe Oy, www.autrosafe.fi, puh (09) 270 90 120

## Dimensions

PA X 10-10 / PA X 10-15

PA X 20-10 / PA X 20-15



## Ordering details

Article numbers		PA X 10-10			PA X 20-15		
Version	Rated voltage	230 V AC	115 V AC	24 V DC	230 V AC	115 V AC	24 V DC
clear lens	housing red	233 61 10 1 000	233 61 15 1 000	233 61 80 1 000	233 72 10 1 000	233 72 15 1 000	233 72 80 1 000
yellow lens	housing red	233 61 10 3 000	233 61 15 3 000	233 61 80 3 000	233 72 10 3 000	233 72 15 3 000	233 72 80 3 000
amber lens	housing red	233 61 10 4 000	233 61 15 4 000	233 61 80 4 000	233 72 10 4 000	233 72 15 4 000	233 72 80 4 000
red lens	housing red	233 61 10 5 000	233 61 15 5 000	233 61 80 5 000	233 72 10 5 000	233 72 15 5 000	233 72 80 5 000
yellow lens	housing grey	233 61 10 3 055	233 61 15 3 055	233 61 80 3 055	233 72 10 3 055	233 72 15 3 055	233 72 80 3 055
amber lens	housing grey	233 61 10 4 055	233 61 15 4 055	233 61 80 4 055	233 72 10 4 055	233 72 15 4 055	233 72 80 4 055
red lens	housing grey	233 61 10 5 055	233 61 15 5 055	233 61 80 5 055	233 72 10 5 055	233 72 15 5 055	233 72 80 5 055

Article numbers for other voltages and versions on request

## Options / Accessories



GL



Enclosure fitting



Surface gasket



Tamper-proof sealing



SSM  
(only for 24 V DC)

See page 165 for further information

## Conformity to standards

The acoustic parameters conform to the European standard DIN EN ISO 7731;  
"Ergonomic – alarm signals for public areas and workplaces – acoustic alarm signals".

The requirement for an acoustic alarm signal can be found in the harmonised standards:  
EN 60204-1 Electrical equipment of machines  
EN 60825-1 Radiation safety of laser devices, identical to IEC 825 and DIN-VDE 0837

Maahantuonti ja myynti: Autrosafe Oy, [www.autrosafe.fi](http://www.autrosafe.fi), puh (09) 270 90 120