

# PYRA FLASHING LIGHT SOUNDERS 100 dB(A) / 5/10 J PY X-MA-05 / PY X-MA-10

**NEW**


- safe - an incorrect installation is virtually impossible
- easy - significantly shorter assembly and installation times
- economical - largest possible signaling range due to effective XENON technology
- installation options with external lugs or internal holes
- choice of four different flash rates via DIP switch
- electronic constant current regulation at 24 V AC/DC devices to avoid load fluctuations
- integrated inrush current limitation and undervoltage detection
- providing full synchronization on multi-flashing light systems
- light and sounder can be controlled separately

PY X-MA-05 PY X-MA-10



Visual covering distance



Protection system



Impact-proof housing



Operating temperature



pending



Warranty

Electrical data	PY X-MA-05		
Rated voltage	230 V AC	115 V AC	24 V AC/DC
Rated frequency	50 / 60 Hz	50 / 60 Hz	50 / 60 Hz / DC
Operating range	187 – 255 V	90 – 135 V	AC: 18 – 30 V / DC: 10 – 60 V
Nominal current consumption <sup>1</sup>	70 – 75 mA	120 – 140 mA	AC: 660 – 720 mA DC: 280 mA @ 24 V
Electrical data	PY X-MA-10		
Rated voltage	230 V AC	115 V AC	24 V AC/DC
Rated frequency	50 / 60 Hz	50 / 60 Hz	50 / 60 Hz / DC
Operating range	187 – 255 V	90 – 135 V	AC: 18 – 30 V / DC: 10 – 60 V
Nominal current consumption <sup>1</sup>	160 – 165 mA	250 – 270 mA	AC: 1050 – 1150 mA DC: 550 – 620 mA @ 24 V

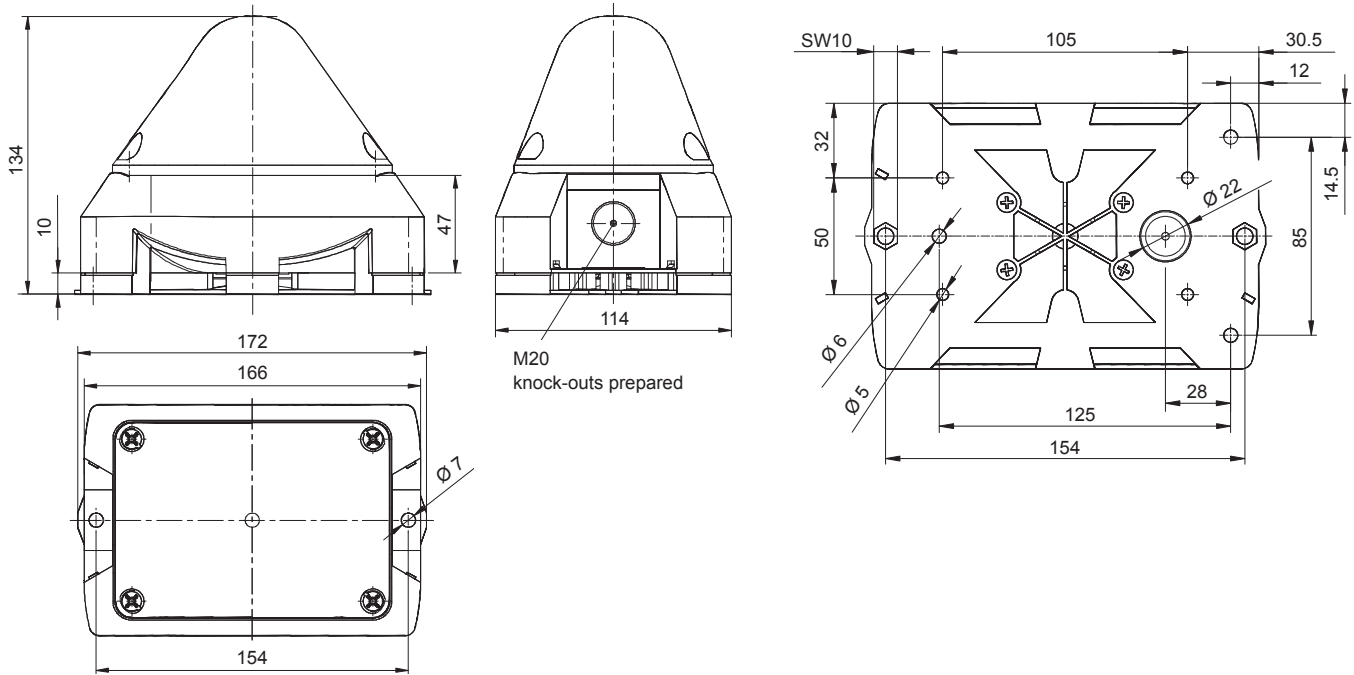
<sup>1</sup> power consumption dependent on operating voltage

Mechanical data	PY X-MA-05	PY X-MA-10
Sound pressure level	100 dB (A)	
Sound level reduction	max. - 20 dB via potentiometer	
Alarm tones	8	
Flash energy	5 J	10 J
Flash rate	0.1 / 0.5 / 0.75 / 1 Hz (DIP switch)	
Light intensity (DIN 5037) <sup>1</sup>	44 cd	118 cd
Operating temperature	- 40 °C ... + 55 °C	
Storage temperature	- 40 °C ... + 70 °C	
Relative humidity	90%	
Protection system according to EN 60529	IP 66	
Protection class	II	
Duty cycle	100%	
Service life of the flash tube	light emission still 70% after 8,000,000 flashes	
Material	base part	PC / ABS
	lens flashing light	polycarbonate (PC)
Housing colour	RAL 3000 (flame red) / RAL 7035 (light grey)	
Lens colour	clear, white, yellow, amber, red, green, blue	
Cable entry	2 x M20 on side, 1 x M20 on bottom	
Integrated seal with cable entry	6 – 13 mm	
Connecting terminals	2.5 mm <sup>2</sup> fine wire, AWG 16	
Weight	AC	620 g
	AC/DC	560 g
		660 g
		580 g

<sup>1</sup> with a clear lens

Maahantuonti ja myynti: Autrosafe Oy, www.autrosafe.fi, puh (09) 270 90 120

## Dimensions



## Tone table

Tone	Description		Tone	Description	
2	Sawtooth, DIN tone 33404-3 Germany (emergency signal), PFEER PTAP	1200 Hz 500 Hz 1 s	161	Continuous tone	3000 Hz
9	Slow whoop, fire alarm, UK BS5839-1	970 Hz 800 Hz 1 s	162	Interrupted tone	3000 Hz 0.5 s   0.5 s
131	Alternating tone, UK BS5839-1 (fire alarm, railway crossing)	1000 Hz 800 Hz 0.25 s   0.25 s	163	Interrupted tone	3000 Hz 25 ms   25 ms
160	Continuous tone (horn)	110 Hz	164	Slow whoop	2850 Hz 2400 Hz 143 ms

## Ordering details

Article numbers		PY X-MA-05 – housing red			PY X-MA-05 – housing grey		
Version	Rated voltage	230 V AC	115 V AC	24 V AC/DC	230 V AC	115 V AC	24 V AC/DC
clear lens		215 54 10 1 000	215 54 15 1 000	215 54 81 1 000	215 54 10 1 055	215 54 15 1 055	215 54 81 1 055
yellow lens		215 54 10 3 000	215 54 15 3 000	215 54 81 3 000	215 54 10 3 055	215 54 15 3 055	215 54 81 3 055
red lens		215 54 10 5 000	215 54 15 5 000	215 54 81 5 000	215 54 10 5 055	215 54 15 5 055	215 54 81 5 055
Article numbers		PY X-MA-10 – housing red			PY X-MA-10 – housing grey		
Version	Rated voltage	230 V AC	115 V AC	24 V AC/DC	230 V AC	115 V AC	24 V AC/DC
clear lens		215 55 10 1 000	215 55 15 1 000	215 55 81 1 000	215 55 10 1 055	215 55 15 1 055	215 55 81 1 055
yellow lens		215 55 10 3 000	215 55 15 3 000	215 55 81 3 000	215 55 10 3 055	215 55 15 3 055	215 55 81 3 055
red lens		215 55 10 5 000	215 55 15 5 000	215 55 81 5 000	215 55 10 5 055	215 55 15 5 055	215 55 81 5 055

Article numbers for other voltages and versions on request

## Options / Accessories



See page 165 for further information

## Conformity to standards

The acoustic parameters conform to the European standard DIN EN ISO 7731;  
**“Ergonomic – alarm signals for public areas and workplaces – acoustic alarm signals”.**

The requirement for an acoustic alarm signal can be found in the harmonised standards:  
 EN 60204-1 Electrical equipment of machines  
 EN 60825-1 Radiation safety of laser devices, identical to IEC 825 and DIN-VDE 0837

Maahantuonti ja myynti: Autrosafe Oy, [www.autrosafe.fi](http://www.autrosafe.fi), puh (09) 270 90 120

Further technical information can be found on our website at [www.pfannenberg.com](http://www.pfannenberg.com)