

LED MULTI-FUNCTION LIGHT

Quadro-LED Flex



- designed for tough requirements under industrial conditions
- suitable for indoor and outdoor use
- extremely insensitive to shock and vibration
- internally and externally selectable operating mode as standard - one device for 4 different alarms:
 - continuous light
 - blinking light
 - flashing light
 - rotating light (non-wearing)
- 24 V AC/DC devices as standard with soft-start module
- can be operated directly via 24 V transistor PLC output, no additional relay control necessary
- inexpensive and flexible; wide range power supplies as standard



Covering distance as per EN 54



Protection system



Protection system



Impact-proof housing



Operating temperature



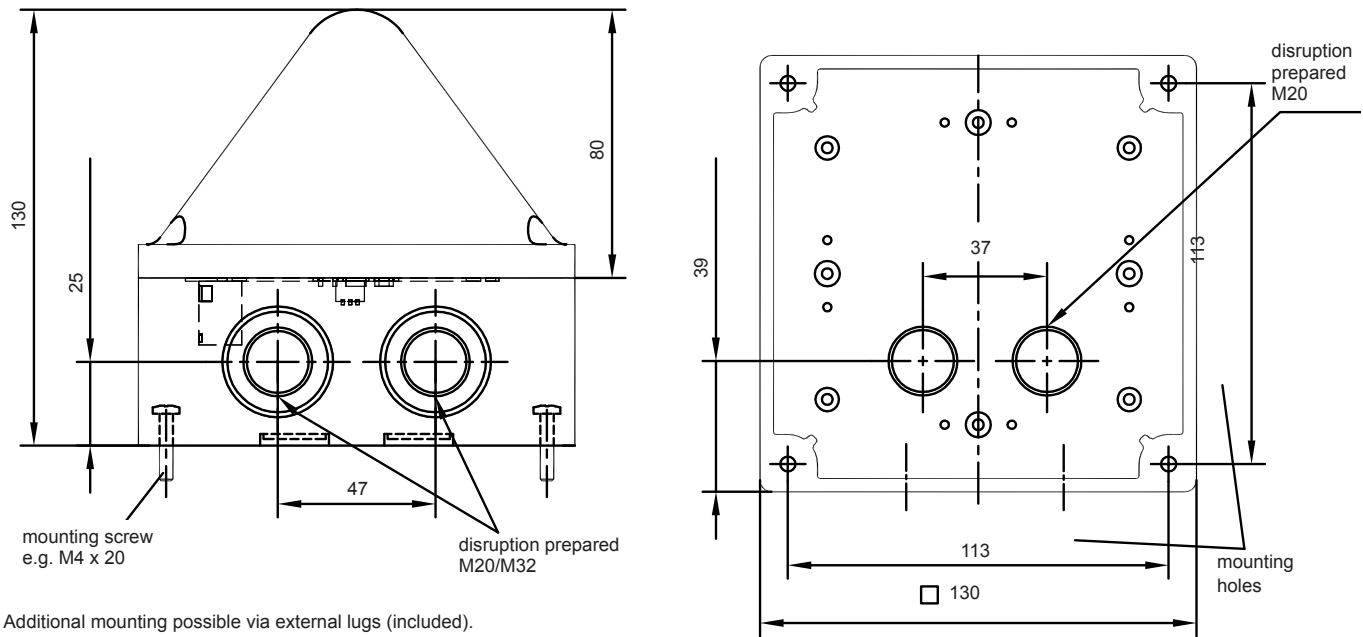
Warranty

Electrical data		Quadro-LED Flex			
Rated voltage		115 / 230 V AC/DC		24 V AC/DC	
Rated frequency		50 / 60 Hz / DC		50 / 60 Hz / DC	
Operating range	AC	95 V – 253 V		15 V – 40 V	
	DC	100 V – 350 V		10 V – 60 V	
Current consumption in continuous light mode	AC	115 V: < 90 mA	230 V: 60 mA	24 V: 420 mA	
	DC	120 V: < 55 mA	220 V: 35 mA	24 V: 250 mA	

Mechanical data		Quadro-LED Flex			
Operating mode (internally and externally selectable)		continuous light	blinking light	flashing light	rotating all-round light
Light alternation frequency			1.5 Hz	1 Hz	2.5 Hz
Light source		LED; 8 x 2 LEDs (3 chip version)			
Light intensity (DIN 5037) ¹		9 cd			
Lens colours		clear, white, yellow, amber, red, green, blue			
Operating temperature		- 30 °C ... + 55 °C			
Storage temperature		- 40 °C ... + 70 °C			
Relative humidity		100%			
Protection system according to EN 60529		IP 66, IP 67, mounting arbitrary			
Impact resistance as per EN 50102		IK 08			
Protection class		II			
Service life of light source		≥ 50,000 hrs			
Material	lens	polycarbonate (PC)			
	housing	polycarbonate (PC), grey RAL 7035			
Cable entry		2 x M20/M32 sideways, 2 x M20 bottom side			
Connecting terminals		spring-type terminal 0.08 – 2.5 mm ²			
Weight		500 g			

¹ with a clear lens

Dimensions



Additional mounting possible via external lugs (included).

Operating modes

S1			Selection via internal DIP switch		S1 - X1 -					Selection via external control		S1 - X1 -					Selection via BAV option (24 V AC/DC only)		
1	2	3			1	1	2	3	4			1	1	2	3	4			
					(S1-2 = OFF, S1-3 = OFF)										(S1-2 = OFF, S1-3 = OFF)				
OFF	OFF	OFF	OFF		OFF	-/N	+/L			OFF (standby)		OFF	-/N				+/L	all-round light	2.5 Hz
OFF	OFF	ON	all-round light	2.5 Hz	OFF	-/N	+/L		+/L	all-round light	2.5 Hz	OFF	-/N		+/L			continuous light	
OFF	ON	OFF	continuous light		OFF	-/N	+/L	+/L		continuous light		OFF	-/N		+/L	+/L		blinking light	1.5 Hz
OFF	ON	ON	blinking light	1.5 Hz	OFF	-/N	+/L	+/L	+/L	blinking light	1.5 Hz	ON	-/N	+/L				flashing light	1 Hz
ON	OFF	OFF	flashing light	1 Hz	ON	-/N	+/L			flashing light	1 Hz	ON	-/N			+/L		all-round light	2.5 Hz
ON	OFF	ON	all-round light	2.5 Hz	ON	-/N	+/L		+/L	all-round light	2.5 Hz	ON	-/N		+/L			continuous light	
ON	ON	OFF	continuous light		ON	-/N	+/L	+/L		continuous light		ON	-/N		+/L			continuous light	
ON	ON	ON	blinking light	1.5 Hz	ON	-/N	+/L	+/L	+/L	blinking light	1.5 Hz	ON	-/N		+/L	+/L		blinking light	1.5 Hz

Ordering details

Article numbers		Quadro-LED Flex	
Lens colour	Rated voltage	230 V AC/DC	24 V AC/DC
yellow		211 04 64 3 000	211 04 63 3 000
amber		211 04 64 4 000	211 04 63 4 000
red		211 04 64 5 000	211 04 63 5 000

Article numbers for other colours on request

Options / Accessories



GOST

Conformity to standards

The visual characteristics of LED lights conform to the European standard DIN EN 842: "Machine safety - visual alarm signals". Requirements contained in the DIN EN 981 standard: "Machine safety - system of acoustic and visual alarm and information signals", can be fulfilled.

The colours 'red' for the emergency signal and 'yellow' for the warning signal conform to the requirements of IEC 73 / DIN EN 60073 / VDE 0199: "Coding of display devices and control elements using colours and supplementary means".

References to visual alarm devices can be found in the following standards:

EN 60825-1	Radiation safety of laser devices, identical to IEC 825 and DIN-VDE 0837
DIN EN 54	Fire alarm systems
DIN 54113-2	Radiation protection regulations for the technical operation of X-ray equipment up to 500 kV

Maahantuonti ja myynti: Autrosafe Oy, www.autrosafe.fi, puh. (09) 270 90 120