

luminell®

Light Matters



SLH

Lever controlled searchlight



- Compact size
- Rigid
- Technical & functional design
- Spot & flood beam
- IP66/67
- Inboard cable connections

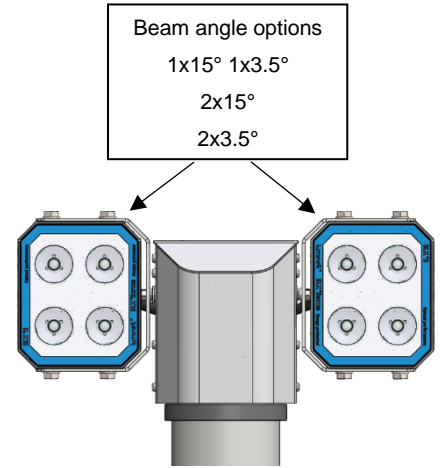


Input Specifications

Input voltage range	9-36 VDC
Alternative voltage rang	100-277 VAC (external PSU)
Frequency range	50-60 Hz
Current @ 24 VDC	1,6A/3,2A

General Specifications

Startup time	1 sec.
Operating ambient temperature (Ta)	-40°C to +55°C
Storage temperature	-40°C to +80°C
Weight (apx.)	8 kg
Weight external PSU (apx.)	1x1kg or 1x2kg
IP class	IP66/67
Lifetime prediction (L70) @ Ta 25° C	75.000 hrs
Corrosion class	C5m ISO 9223/12944 (for offshore and maritime environments)



SLH	3.5°	15°
Light beam angle	3.5°	15°
Total intensity Cd	400kCd	80kCd
Range (1 lux/0,25 lux)	630m / 1265m	280m / 565m
Color rendering (CRI)	70 (min.)	70 (min.)
Color temperature (CCT)	5000-6000K	5000-6000K
Power	40W	80W
Optional AC PSU Acc.	1xS0093 (max 2 SLX B/PSU) 1xS0117 (max 3 SLX B/PSU)	1xS0093 (max 2 SLX B/PSU) 1xS0117 (max 3 SLX B/PSU)

