



SLB B Short out/Short in 12-24VDC 80W SBSB

The SLB B, Bridge controlled LED searchlight, here in combination: -dual spot beams -in the short out and short inner version.

Item Number	LNCLS-11070-1
GTIN	7072720009024
Stock status	M



Technical specifications

Navigation

Operation mode	Bridge Control
Output angle (°)	3,5
PAN Sector	440°
TILT Sector	60°
Focus	No
1 Lux Range	890

Certificates

Marine Approved	True
-----------------	------

Technical Data

Minimum ambient temperature (°C)	-40
Maximum ambient temperature (°C)	55
IP classification	66
Corrosion class	C5-M

Light Technical Data

Light source	LED
Lumen out (lm)	3675
Number of lamps	1
Lumen value supplied light source (lm)	1877
Power consumption light source (W)	40
Lumen per Watt (lm/W)	47
Lamp colour temp (K)	5500
CRI Colour rendering index	70
Candela Output (cd)	800000
Light source 2	LED
Number of lamps 2	1
Lumen value supplied light source 2 (lm)	1877
Power consumption light source 2 (W)	40
Light source included	True

Lifetime

L70 Median useful life LED Ta25 (hr)	70 000
--------------------------------------	--------

Electrical Data

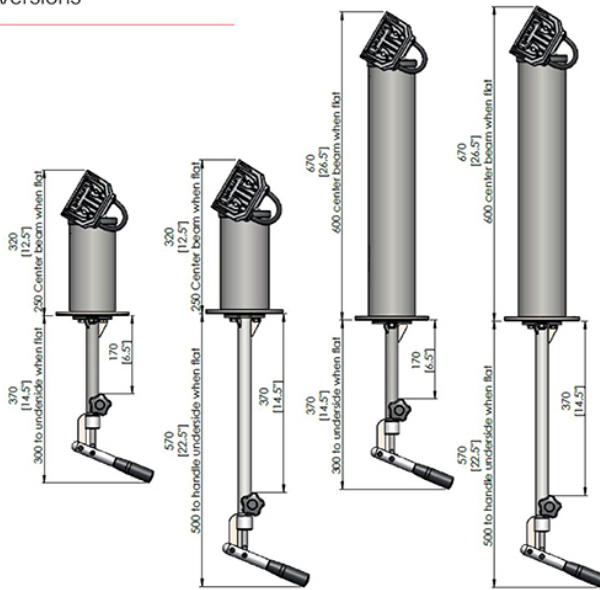
Main Feed DC (V) Min	9
Main Feed DC (V) Max	36
Total consumption (W)	80

Housing

Main body material	Stainless steel
Surface treatment	Powder Coated
Body colour	White
Main body colour name	White

Illustrations

Versions



Model	Short Out Short In	Short Out Long In	High Out Short In	High Out Long In
3,5" x 3,5"	LNCLS-11070-1 SLB B Short out/Short in 12-24VDC 80W SBFB	LNCLS-11071-1 SLB B Short out/Long in 12-24VDC 80W SBFB	LNCLS-11072-1 SLB B High out/Short in 12-24VDC 80W SBFB	LNCLS-11073-1 SLB B High out/Long in 12-24VDC 80W SBFB
3,5" x 3,5"	LNCLS-11070-2 SLB B Short out/Short in 12-24VDC 120W SBFB	LNCLS-11071-2 SLB B Short out/Long in 12-24VDC 120W SBFB	LNCLS-11072-2 SLB B High out/Short in 12-24VDC 120W SBFB	LNCLS-11073-2 SLB B High out/Long in 12-24VDC 120W SBFB