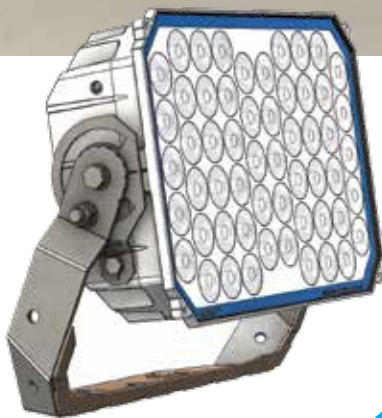


The SLX Searchlight modules is created to push limits and maximize the potential in LED technology and optical performance.



« This is a perfect light for us! Regarding light beam, power and range there is nothing to complain about! The light always works and it get alot of beating in rough Northern-Sea at our small vessel traveling at 30 knots. »

Asbjørn Thomassen, RS-138 (Search and rescue Vessel)



Key Features

- Instant light
- No maintenance
- Upgrade your searchlight w./ different bracket kits available
- One or two different beam types per SLX™ module
- Very even light distribution
- Dimmable – perfect in snow, fog or similar conditions
- Compact, sealed and highly resistant to vibrations and shocks
- Available in 24VDC and 100-277VAC
- Proven endurance

The SLX™ Series LED searchlight module, are made to replace conventional searchlight modules to increase light performance of your searchlight and get rid of costly and annoying maintenance. It is crafted to give superior value for the user with a powerful, compact and durable design that makes the investment to pay back to the fullest.

One SLX™ searchlight unit will enable you detect an object on a distance up to 2 600 meters depending on chosen beam type for your need.

It is made to be mounted fixed or on any suitable existing movable platform. Adapter bracket kit for several movable searchlight platforms can be delivered with the SLX™ searchlight module.

Maybe it's time to upgrade your searchlight so it really can start making a difference for you?

Light Matters!

Input Specifications

- Input voltage range**
- Alternative voltage range**
- Frequency range**
- Current @ 24 VDC**
- Current @ 230 VAC**
- DIM**

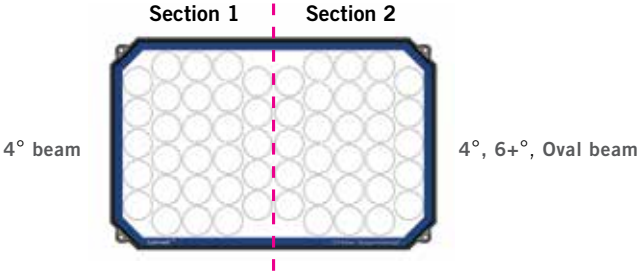
SLX Module

- 22 – 30 VDC
- 100 – 277 VAC (external PSU)
- 50 – 60 Hz
- < 10,7 A
- < 1,1 A
- 0-100 kΩ or 0-10VDC

General Specifications

- Startup time**
- Operating ambient temperature (Ta)**
- Storage temperature**
- Weight (apx.)**
- Cable gland**
- Blind caps**
- IP class**
- Lifetime prediction (L70) @ Ta 25° C**
- Corrosion class**

- 1 sec.
- 40°C to + 55°C
- 40°C to + 80°C
- 9 kg
- 2xM20 (6-13mm)
- None
- IP66/67
- 75.000 hrs
- C5m ISO 9223/12944 (for offshore and maritime environments)



Product	SLX D 24V 4/4	SLX D 24V 4/6	SLX D 24V 4/Oval
Model no.	L0084-1	L0084-2	L0084-3
Light beam angle (Section 1/2)	4°/4°	4°/6+°	4°/Oval H
Total intensity Cd	1,75 mCd	1,75 mCd	0,950 mCd
Range (1 lux/0,25 lux)	1322m / 2645m	1322m / 2645m	975m / 1950m
Color rendering (CRI)	70 (min.)	70 (min.)	70 (min.)
Color temperature (CCT)	5000-8000 Kelvin	5000-8000 Kelvin	5000-8000 Kelvin
Power	210 W	255 W	255 W
Optional AC PSU Acc.	1x S0117	1x S0117	1x S0117
Comments:	- 2x sections linked together - 1x power input - 1x PSU is needed for AC installations	- 2x sections, each controlled separately. - 1x power input - 1x PSUs is need for AC installations - Control panel is highly recommended!	

Control Panel

- Multiple searchlights can be controlled from the same panel
- Individual dimming of beams
- Master ON/OFF
- Dimmable panel light (require 24VDC/VAC)
- Select individual dimming range on beams (0-100% or 10-100%)

Materials

Body / casing / chassis

Seawater resistant; casted, anodized and powder coated aluminium

Glass

Tempered glass

Bracket, bolts, nuts, etc.

Stainless steel AISI 316L (1.4404), A4

Standards for SLX Searchlight

Description

LED modules for general lightning

Photo biological safety of lamps and lamp systems

EMC radiated and conducted

EMC marine radiated and conducted (using screened cable)

ETL / cETL certified

Standard

EN 62031:2008/A1:2013/A2:2015

EN 62471:2008

EN 55015:2013 and MIL-STD461F/G Navy Top Deck

EN 60945:2002

ANSI/UL1598, ANSI/UL1598A, ANSI/UL 8750 and CSA C22.2 No.250.0

Dimensions and Mounting

Front view

Side view

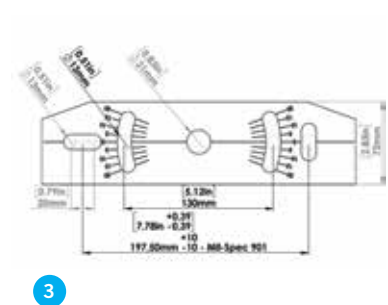
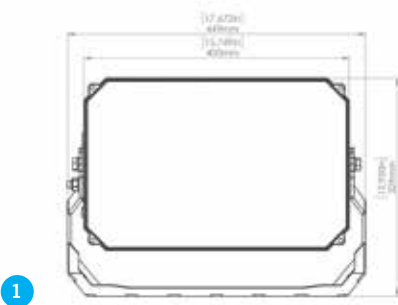
Bracket

SLX Searchlight (fixed)

Fig. 1

Fig. 2

Fig. 3



Bracket Options

L0413 Marine Bracket

L0378 Adapter Bracket D Type 1.

L0379 Adapter Bracket D Type 2.

Other bracket options on request.

Compatible with

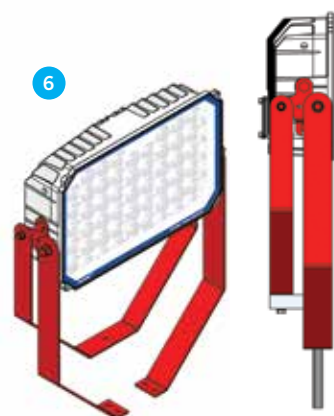
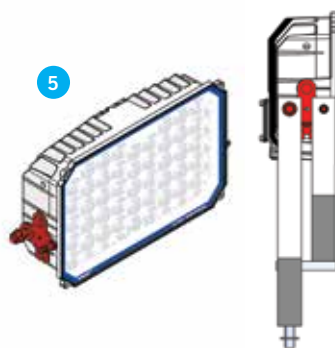
Compatible with: «Seematz» 351

Compatible with: «Norselight» SH 260-470, B-BH

Fig. 4

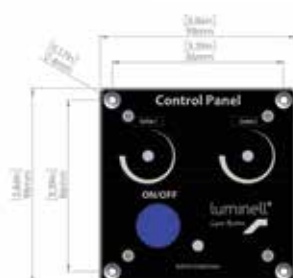
Fig. 5

Fig. 6



Options and Accessories

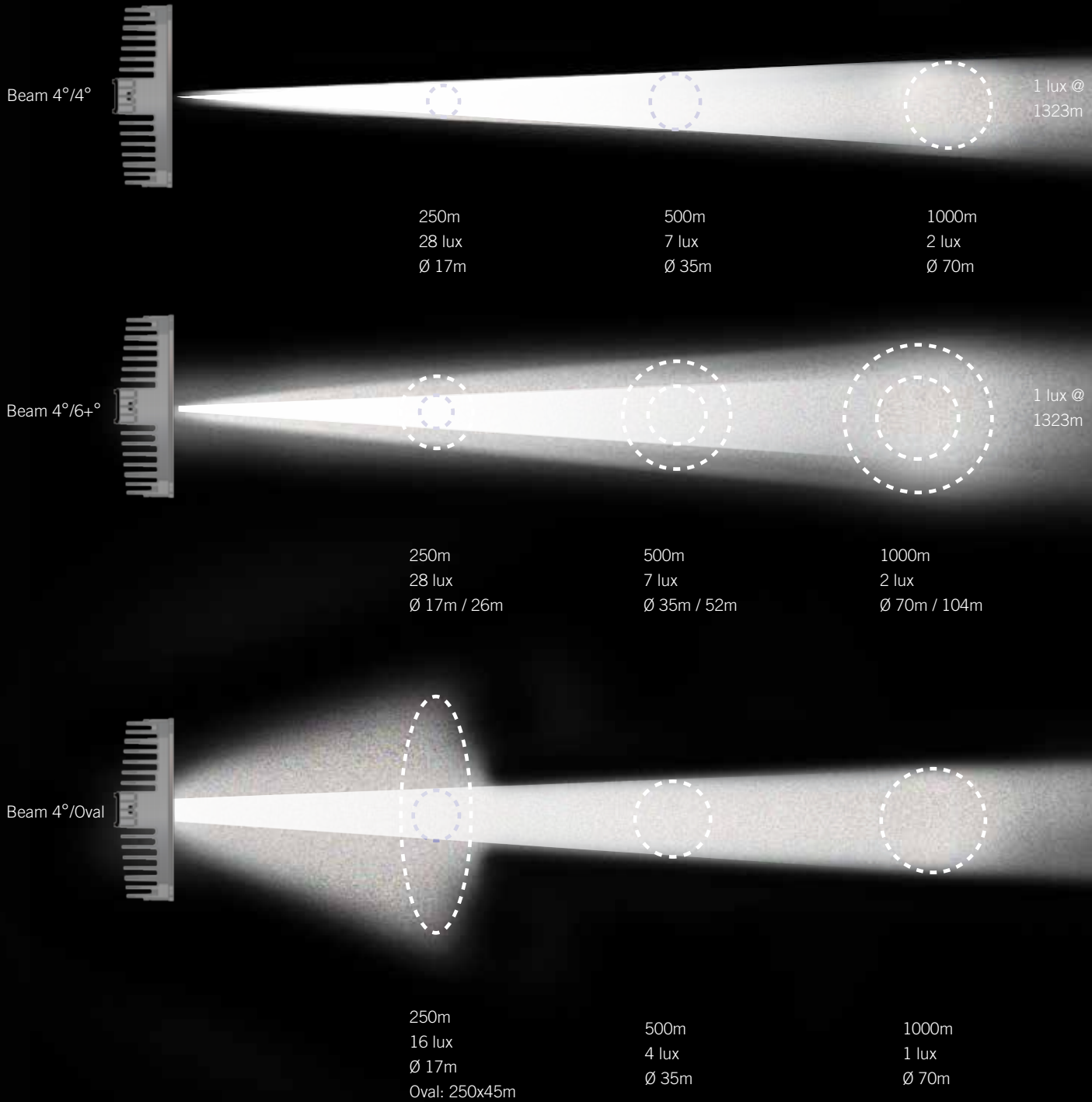
- Control panel
- Protection grid
- Anti-ice kit



Control panel

Beam illustration

Top view



Luminell AS
 Myrabakken Næringscenter – Bygg 2
 6010 Ålesund
 NORWAY
 Org.nr 915 014 348

Contact
 +47 70 10 10 70
 General: info@luminell.com
 Sales inquiries: sales@luminell.com
 www.luminell.com

Distributed by:

